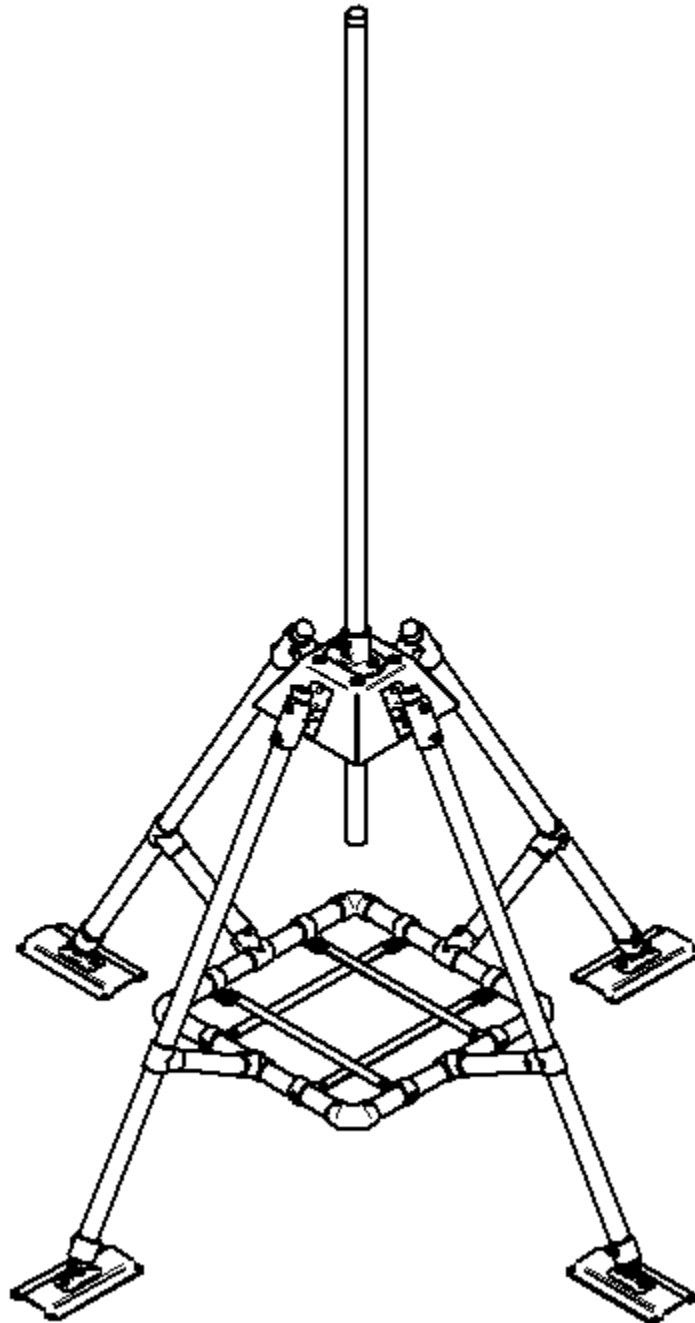
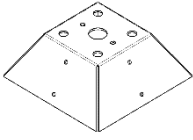




TK1011-TURNKEY QUAD POD



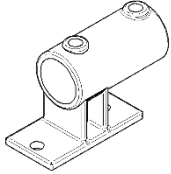
CHECK YOU HAVE ALL PARTS LISTED



1x M00682-4 leg Support Plate



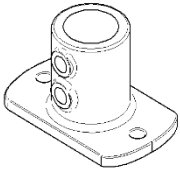
4x Open Grommet



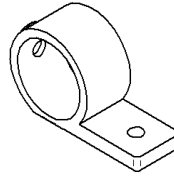
4x Through Hole Offset-Side Palm Fixing



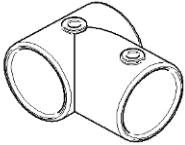
5x Tube end cap - yellow



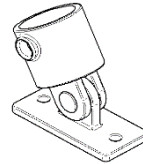
2x Through Hole Base Plate



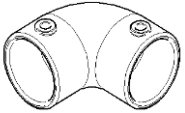
8x Fixing Bracket Single Sided



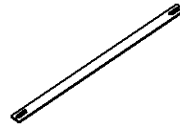
8x Short Tee Tubeclamp



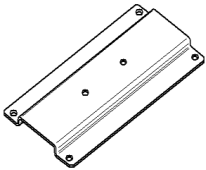
4x Swivel Locating Flange



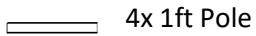
4x 90 Degree Elbow



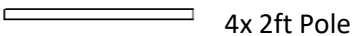
4x M00686-1 Cross Member



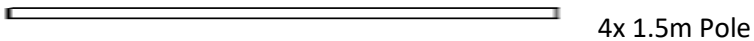
4x M00683-3 Foot Plate



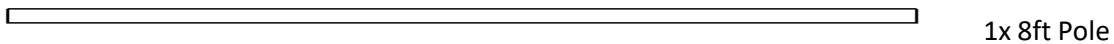
4x 1ft Pole



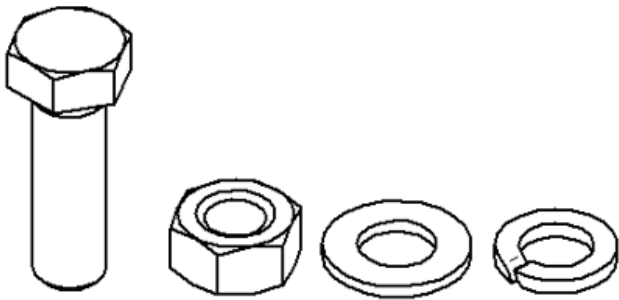
4x 2ft Pole



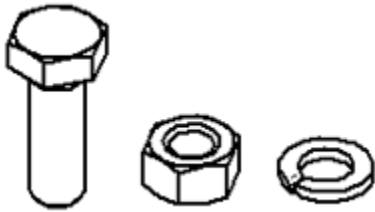
4x 1.5m Pole



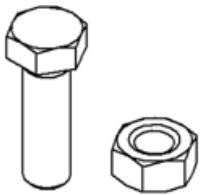
1x 8ft Pole



2x M14x45 Hex Bolt, 2x M14 Nut, 2x M14 Plain washer, 2x M14 Spring washer



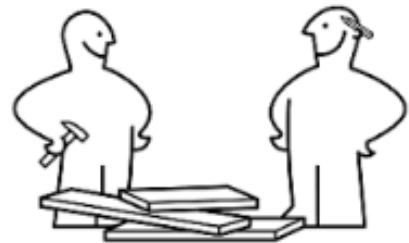
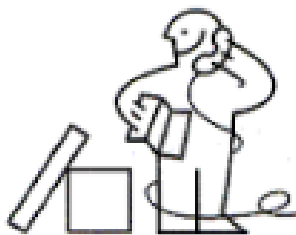
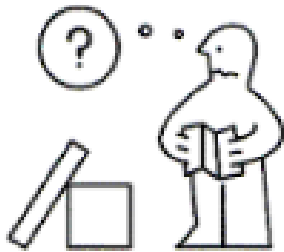
16x M10x30 Hex Bolt 16x M10 Nut 16x M10 Spring washer



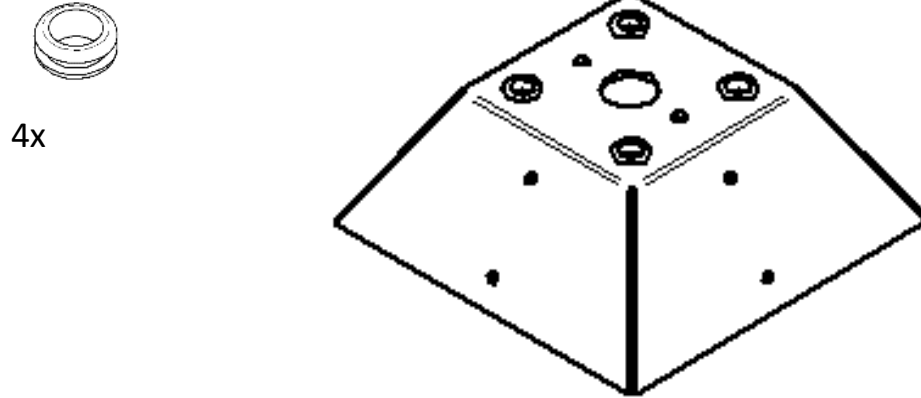
8x M8x30 HEX BOLT, 8x M8 NUT



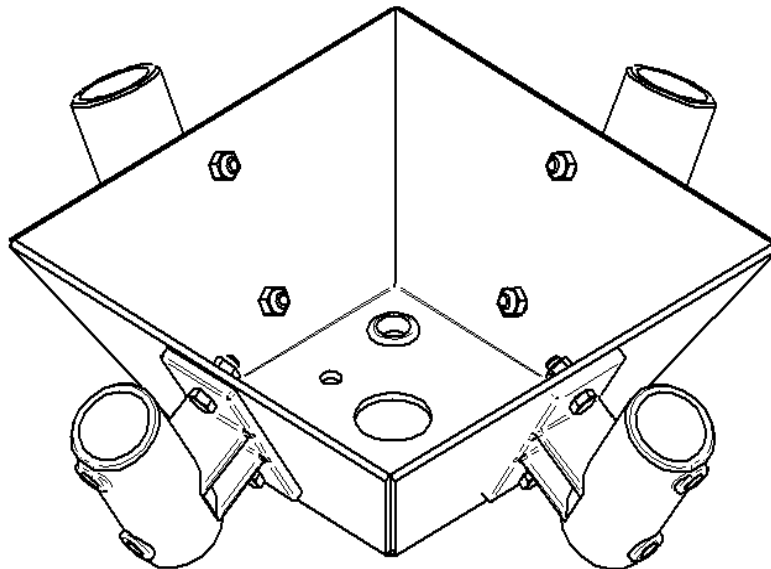
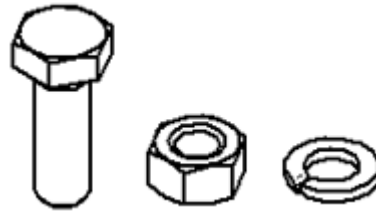
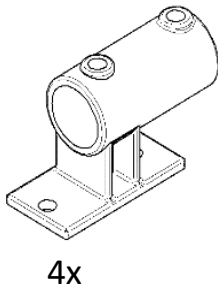
16x M8x30 mudguard washers



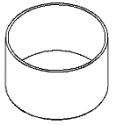
1



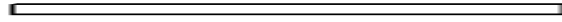
2



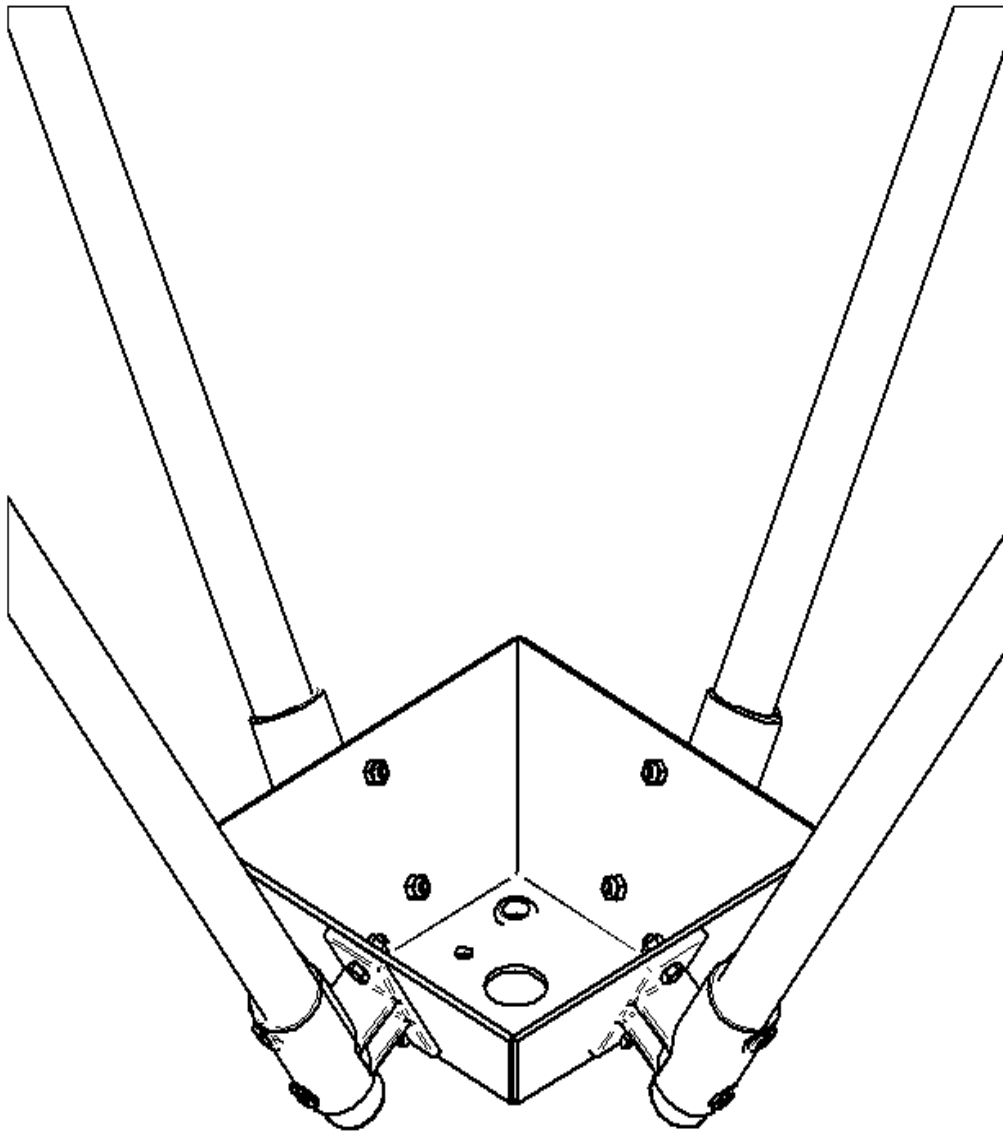
3



4x

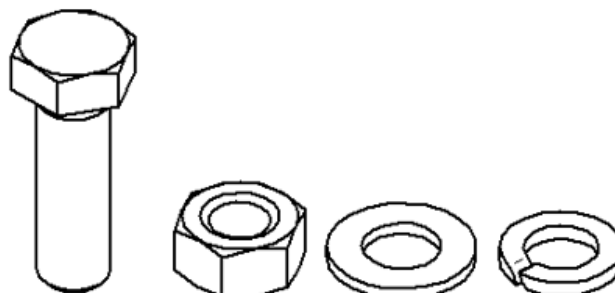
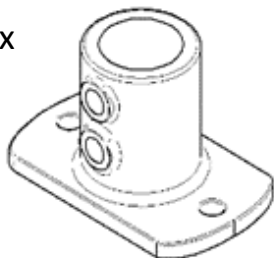


4x 1.5m Tube



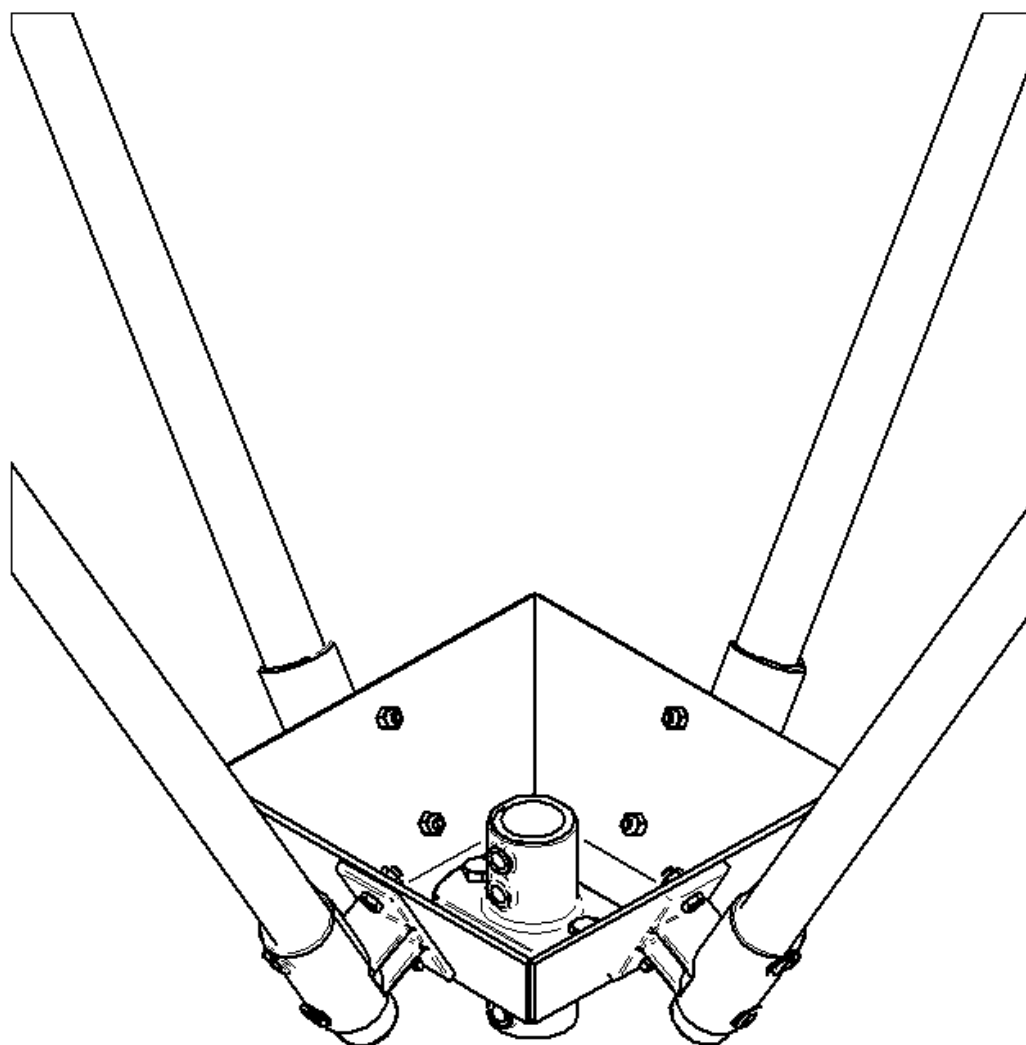
4

2x

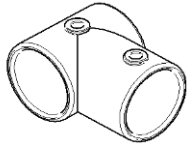


2x M14x45 Hex Bolt 2x M14 Nut

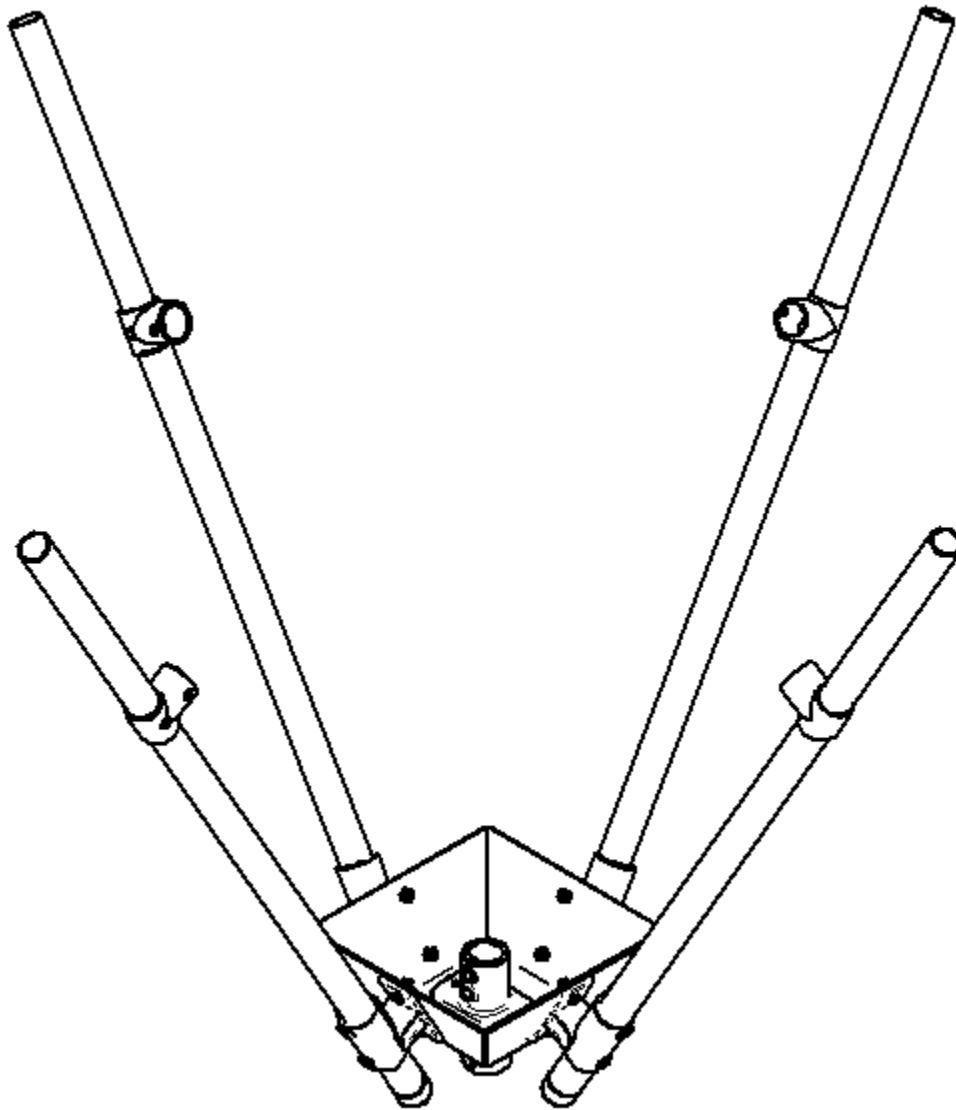
2x M14 Plain washer 2x M14 Spring washer



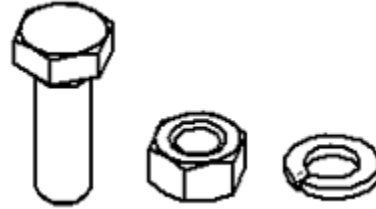
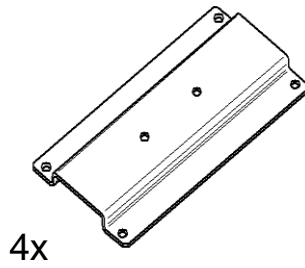
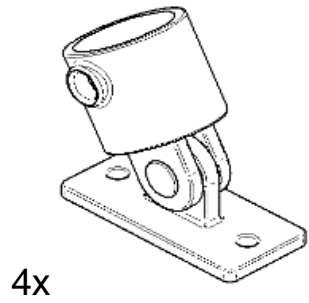
5



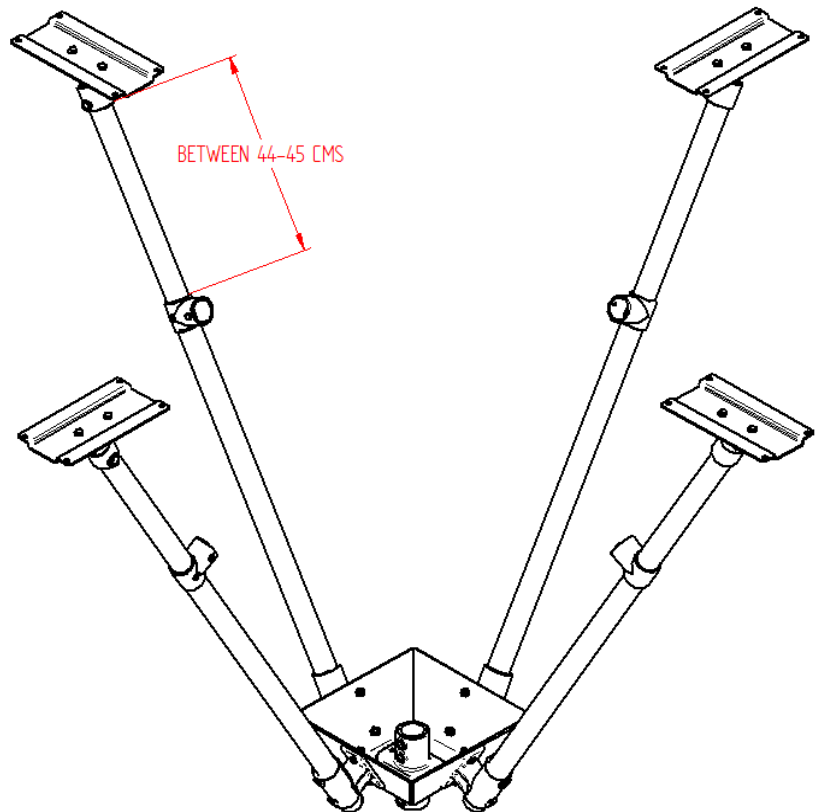
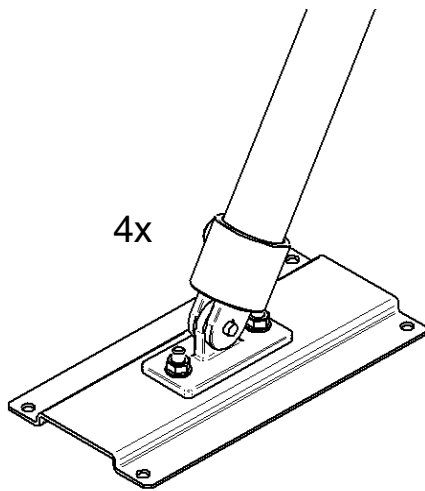
4x



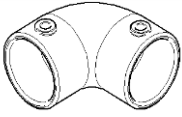
6



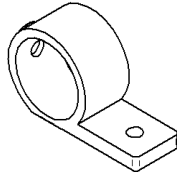
8x M10x30 Hex Bolt
8x M10 Nut
8x M10 Spring washer



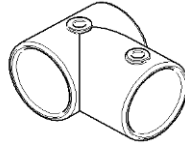
7



4x



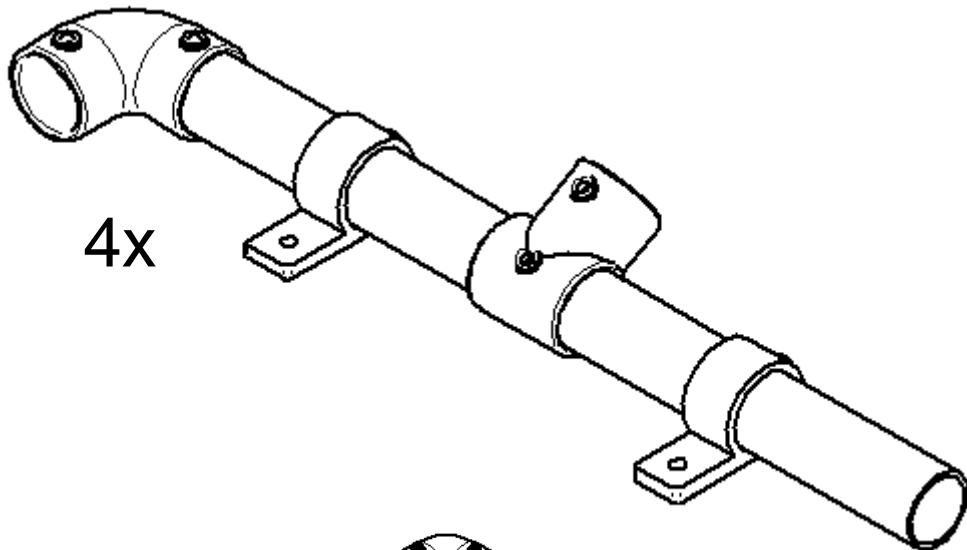
8x



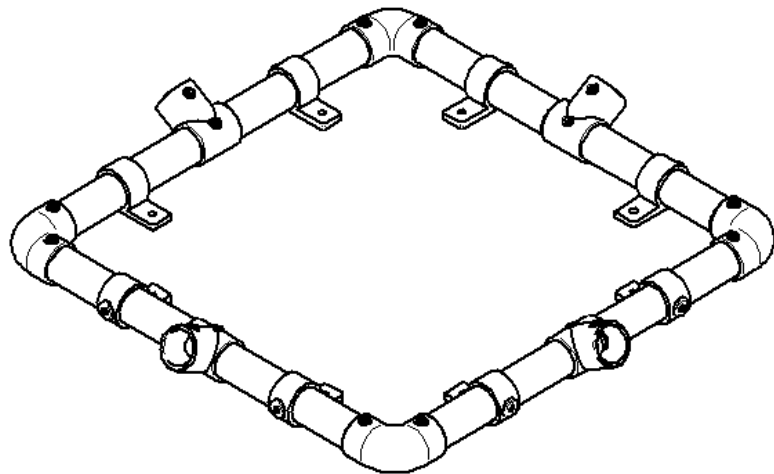
4x

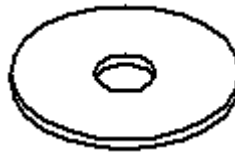
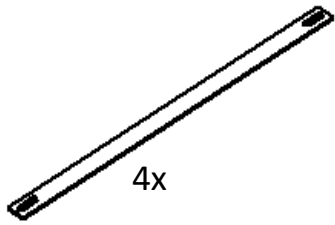


4x 1ft. Tube

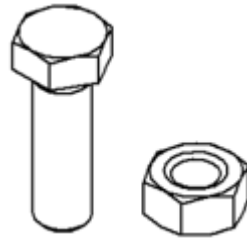


4x

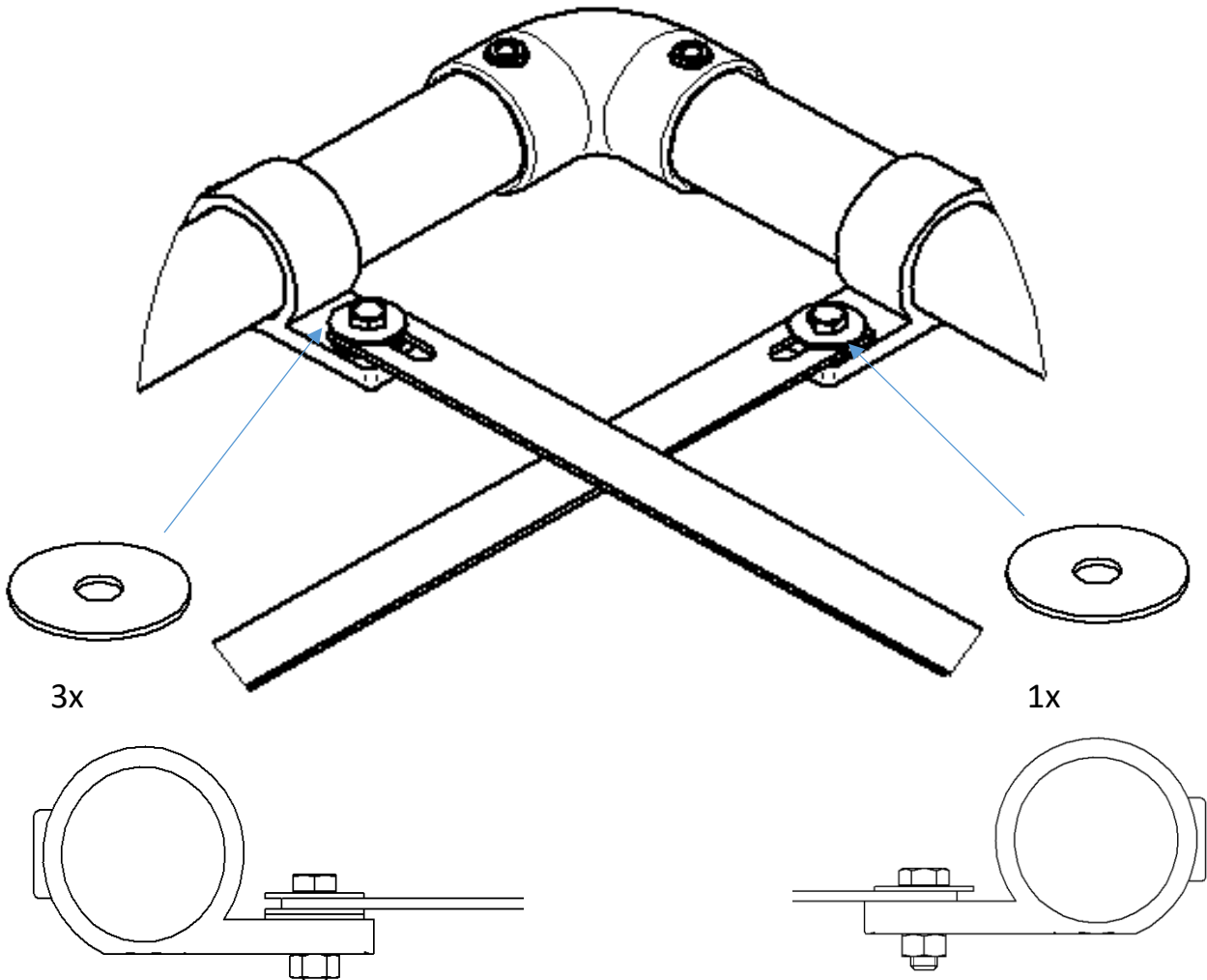


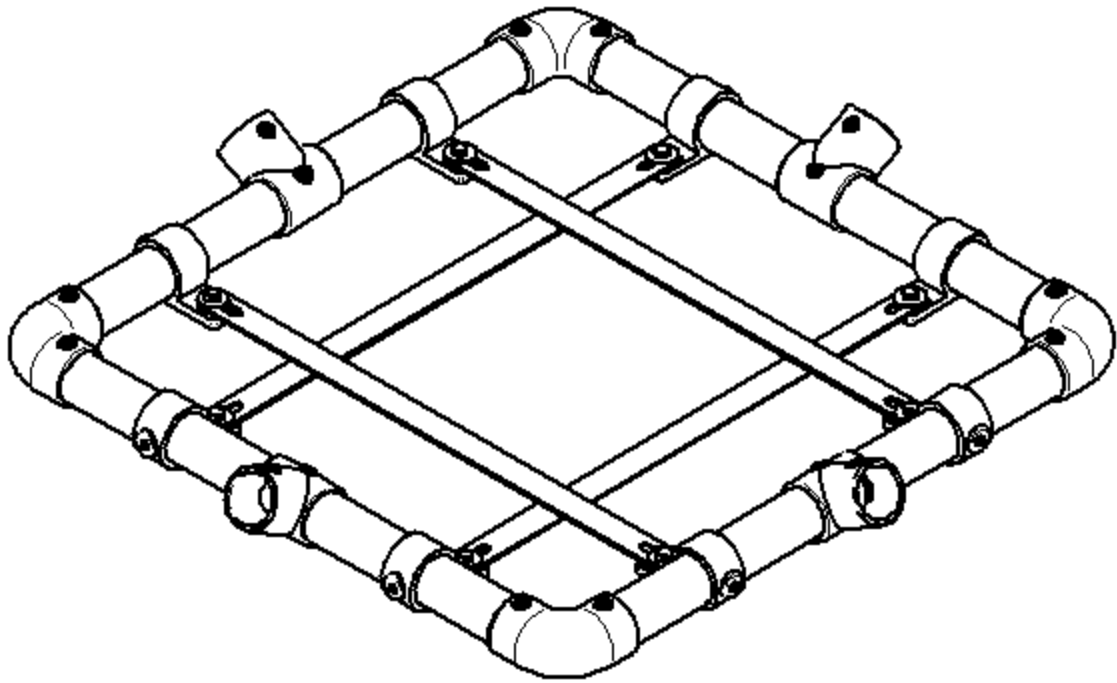


16x M8X30 MUD GUARD WASHER



8x M8X30 HEX BOLT, 8x M8 NUT

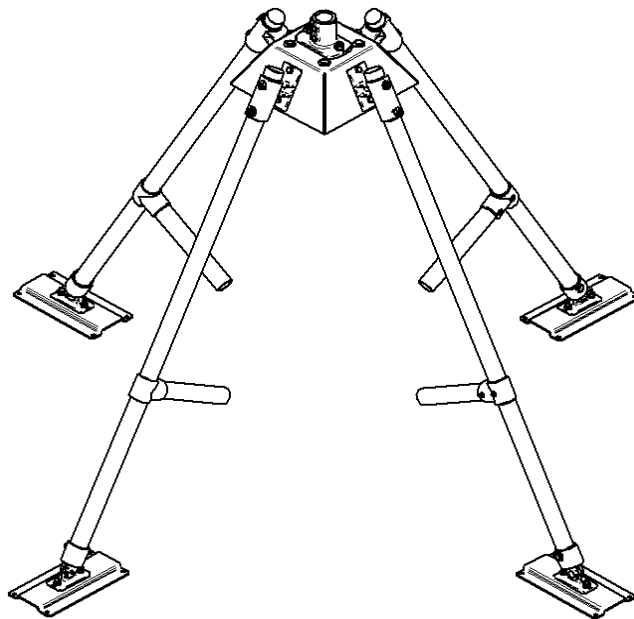


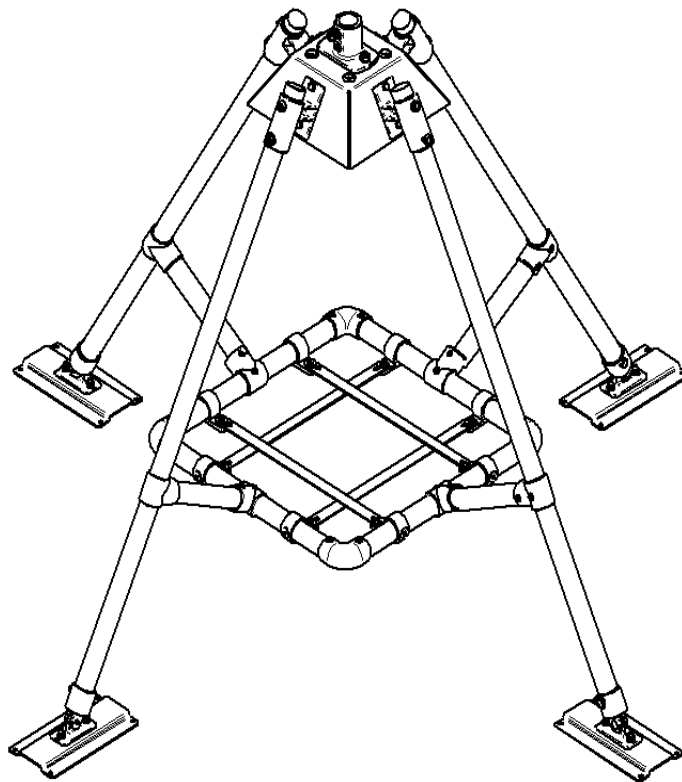
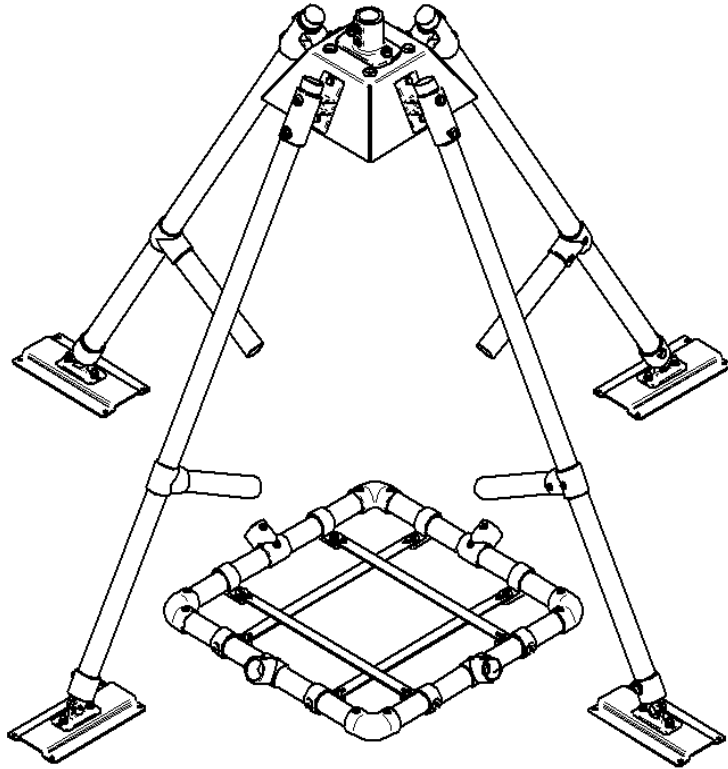


9



4x 1ft Pole

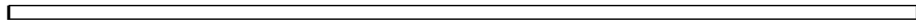




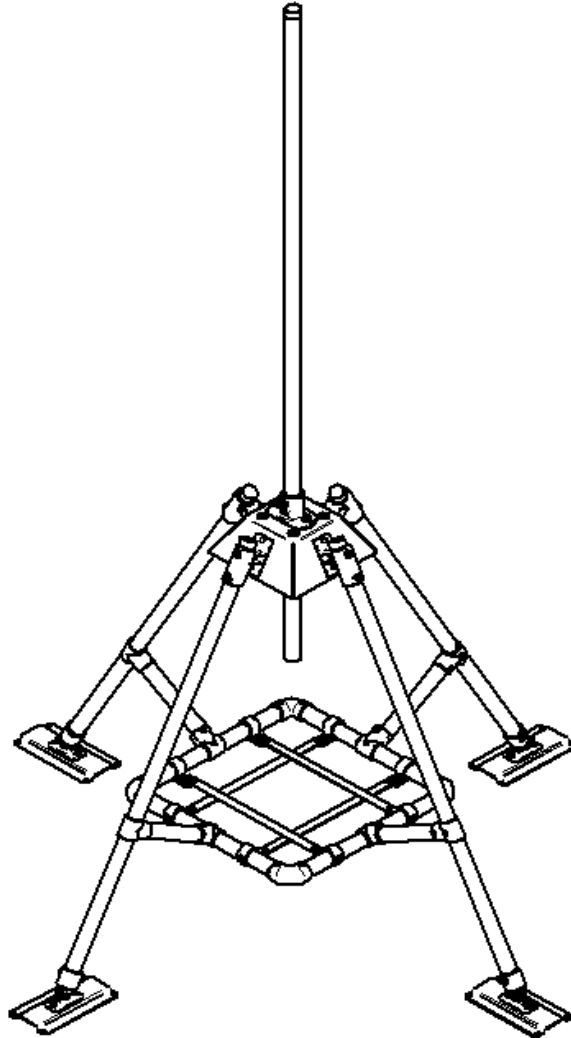
10



1x



1x 8ft Pole



Issue 1. Original May 2017 RSP
Issue 2. TKP name change to TKI, Apr 2019. RSP
Issue 3. Part number issues revised. Sep 2020. RSP

© Turnkey Instruments Ltd. RSP

